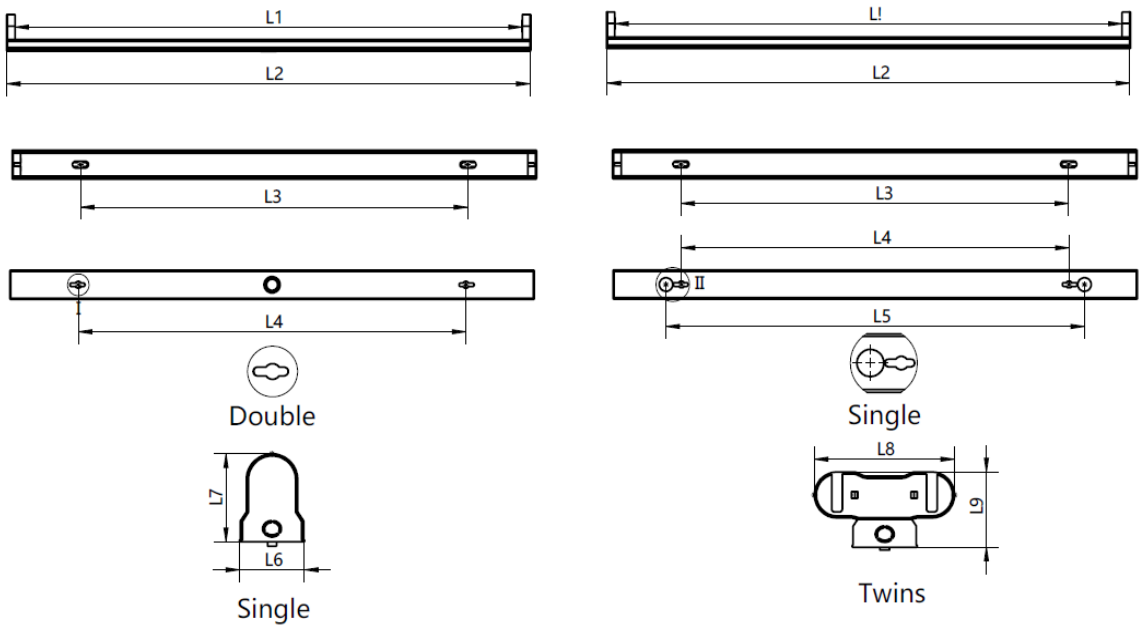
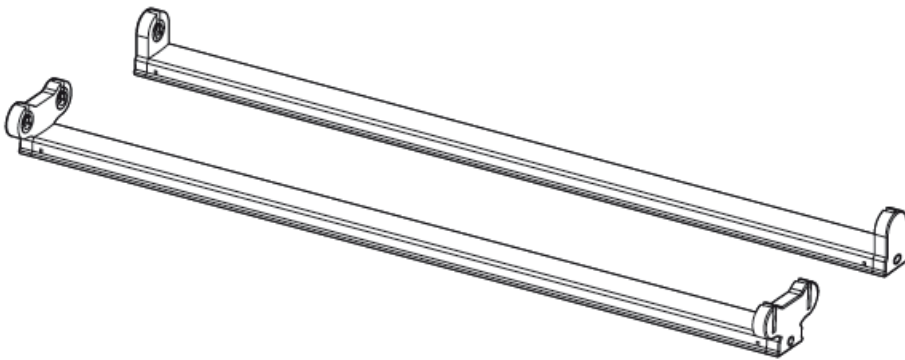


LED T8 Bare Batten



Items	Description	Cap	Connec tion	L1	L2	L3	L4	L5	L6	L7	L8	L9
				(mm)	(mm)	(mm)	(mm)	(mm)	(mm)	(mm)	(mm)	(mm)
1	LEDT8 BB 0.6m, Twins, Sing- end50X1LEDVO	Twins	Single	590	610	450	450	520	X	X	70	40
2	LEDT8 BB 0.6m, Single, Sing- end50X1LEDVO	Single	Single	590	610	450	450	520	32	43	X	X
3	LEDT8 BB 1.2m, Twins, Sing- end50X1LEDVO	Twins	Single	1200	1220	1060	1060	1130	X	X	70	40
4	LEDT8 BB 1.2m, Single, Sing- end50X1LEDVO	Single	Single	1200	1220	1060	1060	1130	32	43	X	X

LED T8 Bare Batten



Product type	Voltage/ Frequency	Suitable lamp	Luminaire cable location	Installation	Dimension (L x W x H)
LEDV T8 BB, L0.6m single-tube, single-end	220-240V 50/60Hz	Designed for OSRAM SubstiTUBE® Value/Advanced EM LED T8 tubes(MAX.30w) only.	Bottom edge	Ceiling mounted	610 X 32 X 43mm
LEDV T8 BB, L0.6m Twins-tube, single-end					610 X 70 X 40mm
LEDV T8 BB, L1.2m single-tube, single-end					1220 X 32X 43mm
LEDV T8 BB, L1.2m Twins-tube, single-end					1220 X 70X 40mm

LED T8 Bare Batten

Fulfill several safety requirements in design, on top of basic IEC safety requirements.

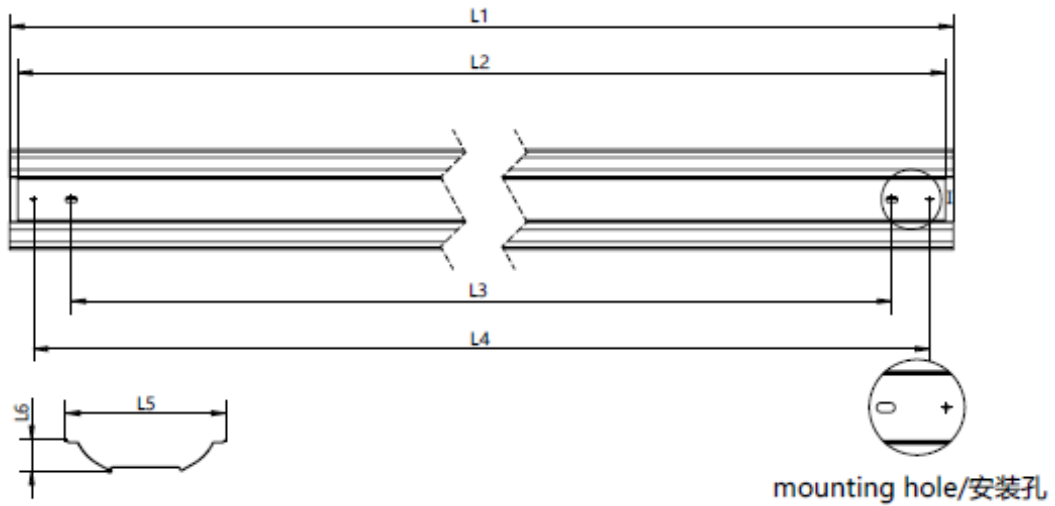
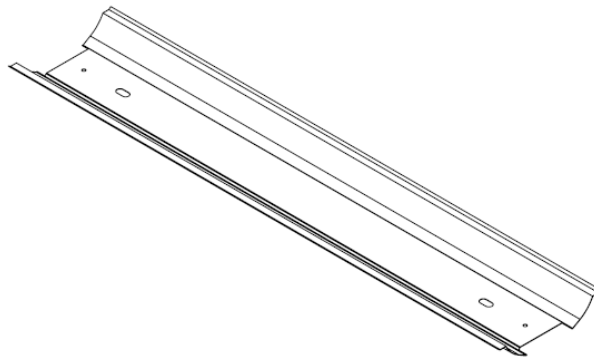
- Fuse resistor added to the circuit, to protect against inserting wrong type of LEDT8 tubes in the bare batten.
- Be pre-wired according to single ended IEC-compliant LED T8 tubes. The batten will contain the double insulation wire inner, one side is already be connected the socket, the other side is obligated to connect electric power.
- Protection Class: Class II
- Type of Protection: IP20
- Installation: Suitable for ceiling mounted only.



This batten is designed for **OSRAM SubstiTUBE® Value/Advanced EM LED T8 tubes** only and not compatible with conventional tubes, the maximum power is 30W.

Suitable for 220-240V, 50/60Hz

Reflector



Items	Description	L1	L2	L3	L4	L5	L6
		(mm)	(mm)	(mm)	(mm)	(mm)	(mm)
1	LED T8 REFLECTOR 0.6M 25 X1 LEDVO	610	590	450	550	130	25
2	LED T8 REFLECTOR 1.2M 25 X1 LEDVO	1220	1200	1060	1160	130	25

Ordering information

Items	Material	Short text	EAN10	EAN40
1	AC0528900DC	LEDT8 BB 0.6M,TWINS, SING-END VS50 LEDVO	4058075078345	4058075078352
2	AC0529000DC	LEDT8 BB 0.6M,SINGLE, SING-END VS50LEDVO	4058075078369	4058075078376
3	AC0529100DC	LEDT8 BB 1.2M,TWINS, SING-END VS50 LEDVO	4058075078383	4058075078390
4	AC0529200DC	LEDT8 BB 1.2M,SINGLE, SING-END VS50LEDVO	4058075078406	4058075078413
5	AC0529501DC	LED T8 REFLECTOR 0.6M VS25 LEDVO	4058075086012	4058075086029
6	AC0529601DC	LED T8 REFLECTOR 1.2M VS25 LEDVO	4058075086036	4058075086043