

## DATA SHEET **LEDVANCE® LED Floodlight Std. Gen2**



The LEDVANCE® LED Floodlight Std. Gen2 range of compact floodlights are an economical replacement for traditional double-ended halogen-lamp floodlights. The combination of high-efficiency LEDs and a high-reflectivity optic ensures excellent light output for general-purpose applications. The floodlights' long life time enables substantial energy and maintenance savings. A universal mounting bracket allows wall or surface mounting that tilts upwards or downwards. The LEDVANCE® LED Floodlight range are available in black housing.

### **Product Features & Benefits**

- Available in 10W, 20W, 30W, 50W
- SMD LED design to maximize product liability
- CRI >80
- High system efficiency up to 90lm/W
- Standard CCT: 6500K & 3000K
- IP safe high efficiency LEDs ensure system liability and legal risks free
- Aluminum heat sink (Heat conductive plastics for 10W)
- Premium grade polycarbonate front frame to reduce overall product weight
- Elegant slim design reduces windage
- Tempered frosted front glass to increase uniformity
- IP65 water and dust proof
- IK07 vandal-protected
- Available in black housing
- Long 30,000hr lifetime reduces maintenance costs
- Pre-wired with mains cable
- Safety compliance certificates: CQC & CB

### Application Areas:

- Architecture and landscape lighting
- Industrial warehouses lighting
- Billboard and advertising lighting
- Security, amenity and parking area lighting

### General Specifications

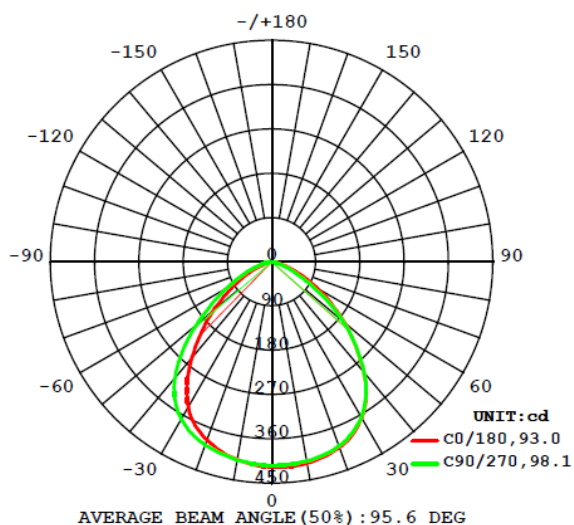
LEDVANCE® LED Floodlight Std. Gen2					
Electrical Data	Wattage	10W	20W	30W	50W
	Voltage range	220 - 240VAC			
	Power factor	0.90			
	Input current(max)	48mA	96mA	145mA	240mA
	Line frequency	50/60Hz			
	Surge protection	500V	1000V		
	Protection class	Class I			
Optical / Photometric	Rated lumens	800	1800	2700	4500
	Beam angle	100°			
	CCT (k)	3000 & 6500			
	CRI	>70	>80	>80	>80
	System lumen efficacy	80 lm/W	90 lm/W	90lm/W	90lm/W
	LED	SMD			
	Rated lifetime	30,000 hrs @ L70 B50 25°C			
	Operating temperature	-30 - +50°C			
Storage temperature	-40 - +70°C				
Housing	Heatsink	Heat conductive plastics	Aluminum		
	Front frame	UV stabilized polycarbonate			
	Front glass	Tempered glass			
	Housing colors	Black (RAL9017)			
	Ingress protection	IP65			
	Shock protection	IK07			
	Driver	Integrated			

## Ordering Codes:

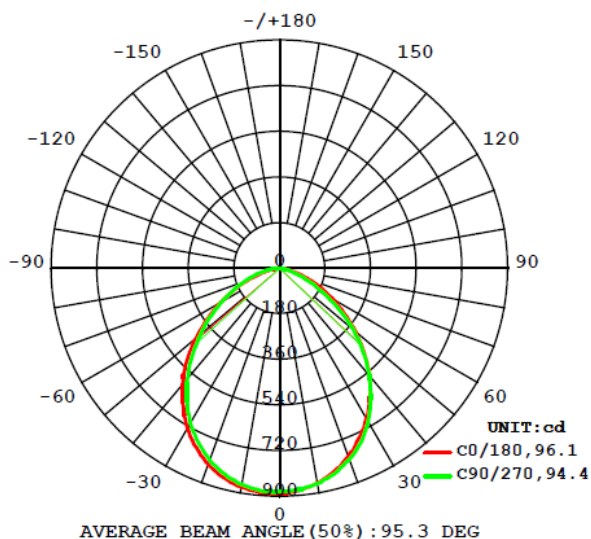
Description	Model No. on Product Label	Housing	EAN10	EAN40
FLOODLIGHT LED 10W/6500K 10X1 G2 LEDVO	LDV-FL-10W-AM-2	Black	4058075069510	4058075069527
FLOODLIGHT LED 10W/3000K 10X1 G2 LEDVO	LDV-FL-10W-AM-2		4058075069534	4058075069541
FLOODLIGHT LED 20W/6500K 10X1 G2 LEDVO	LDV-FL-20W-AM-2		4058075069558	4058075069565
FLOODLIGHT LED 20W/3000K 10X1 G2 LEDVO	LDV-FL-20W-AM-2		4058075069572	4058075069589
FLOODLIGHT LED 30W/6500K 10X1 G2 LEDVO	LDV-FL-30W-AM-2		4058075069596	4058075069602
FLOODLIGHT LED 30W/3000K 10X1 G2 LEDVO	LDV-FL-30W-AM-2		4058075069619	4058075069626
FLOODLIGHT LED 50W/6500K 10X1 G2 LEDVO	LDV-FL-50W-AM-2		4058075069633	4058075069640
FLOODLIGHT LED 50W/3000K 10X1 G2 LEDVO	LDV-FL-50W-AM-2		4058075069657	4058075069664

## Polar intensity diagram:

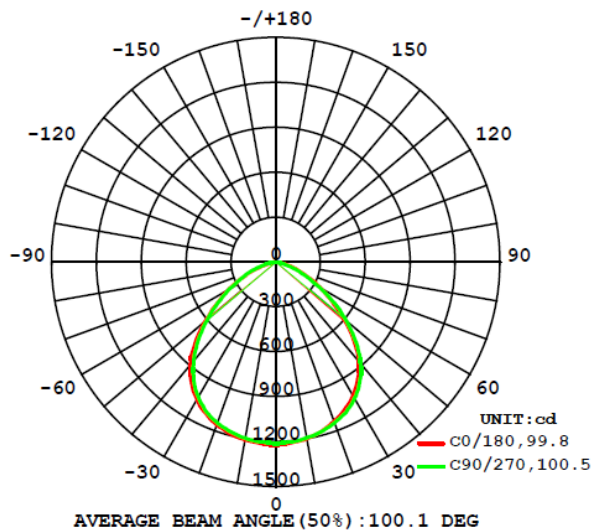
**LED Floodlight Std. Gen2 10W**



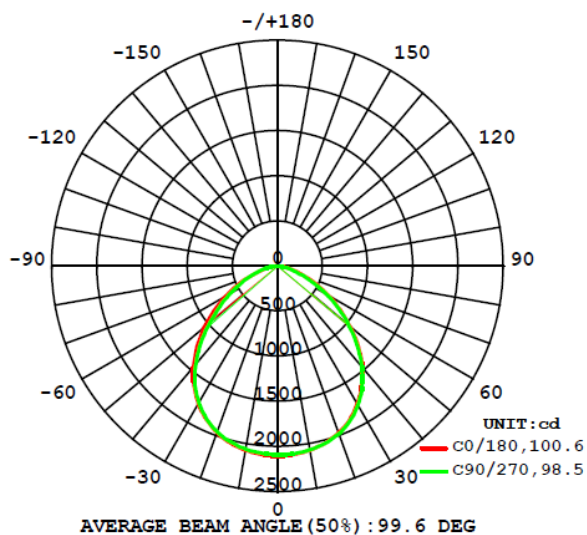
**LED Floodlight Std. Gen2 20W**



**LED Floodlight Std. Gen2 30W**

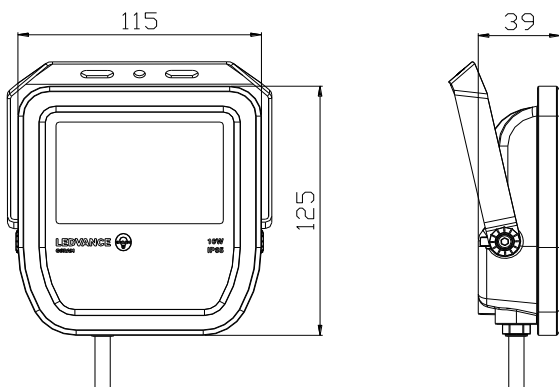


**LED Floodlight Std. Gen2 50W**

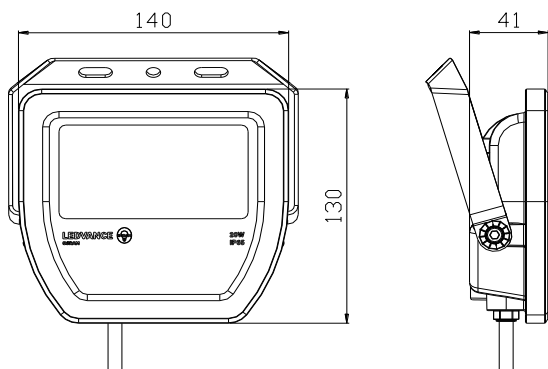


**Drawing/Dimensions:**

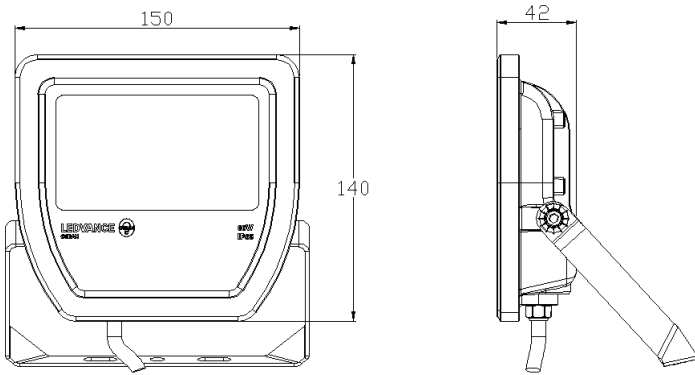
**LED Floodlight Std. Gen2 10W**



**LED Floodlight Std. Gen2 20W**



**LED Floodlight Std. Gen2 30W**



**LED Floodlight Std. Gen2 50W**

